

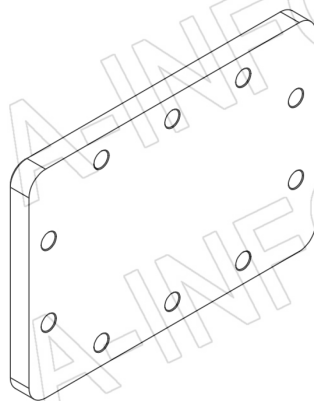
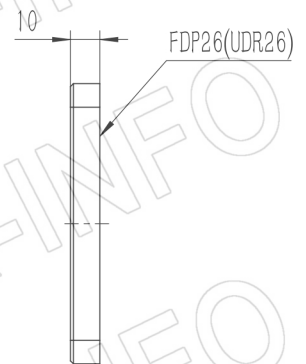
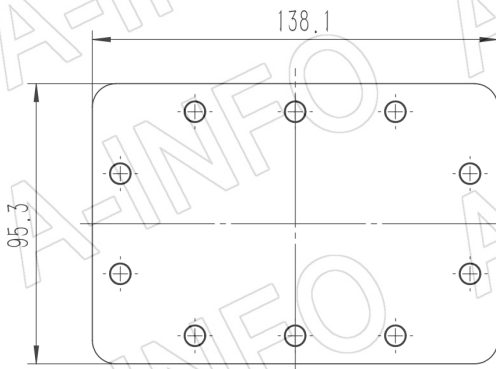
For reference only. See data sheet for the detailed specifications.

Technical Specification

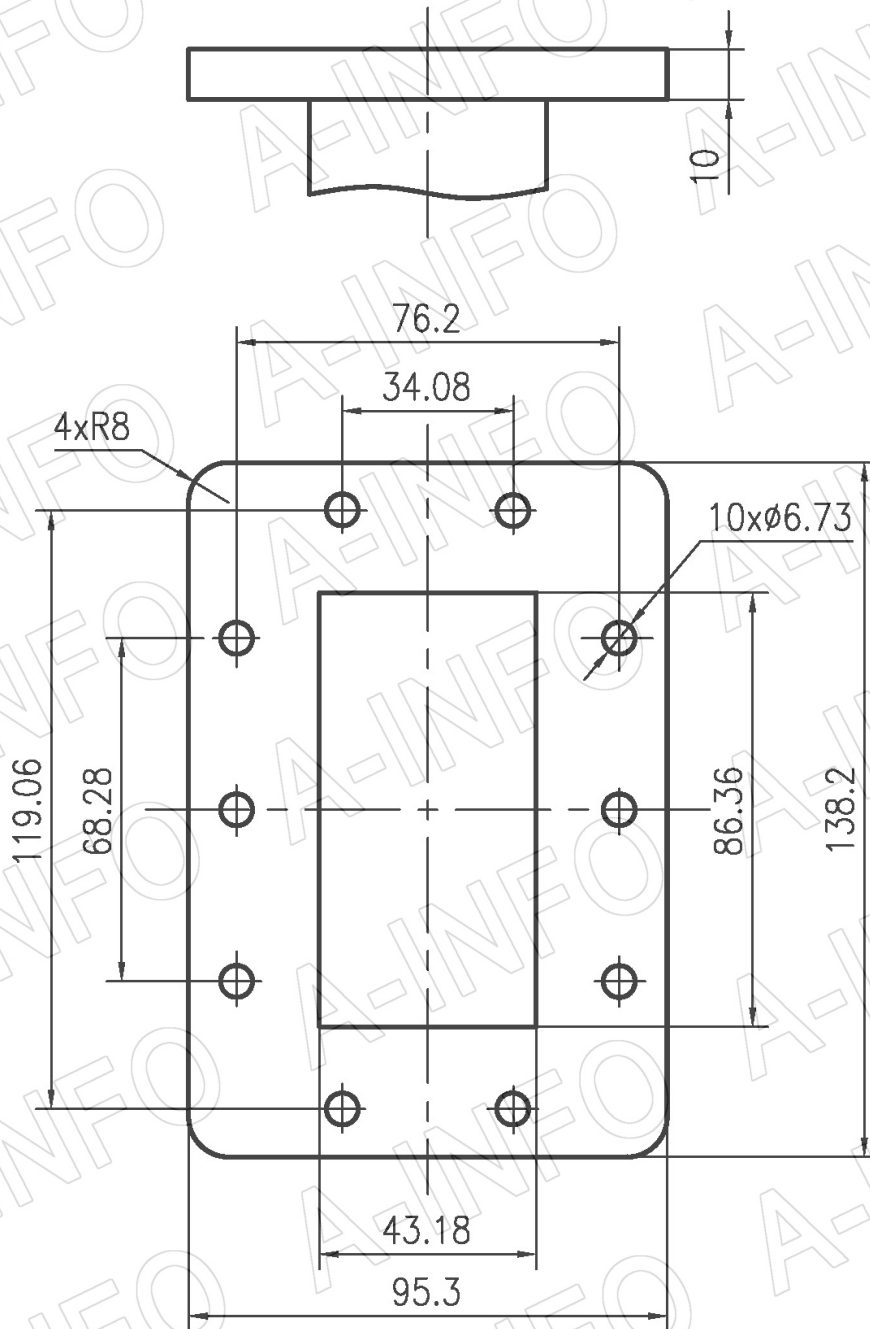


EIA WR	WR340
Freq. Range(GHz)	2.2 – 3.3
Thickness(mm)	10
Flange	FDP26(UDR26)
Material	Al
Finish	Chemical Conversion Coating
Size(mm)	138.1 x 10 x 95.3
Net Weight(Kg)	0.40 Around

Outline Drawing (Size: mm)



Flange Drawing (Size: mm)



FDP26

AINFO Inc.

Page 2 of 2

China(Beijing): Tel: (+86) 10-6266-7326,
China(Chengdu): Tel: (+86) 28-8519-2786,
USA: Tel: (+1) 949-639-9688,

(+86) 10-6266-7327 Fax: (+86) 10-6266-7379
(+86) 28-8519-3044 Fax: (+86) 28-8519-3068
(+1) 949-639-9608 Fax: (+1) 949-639-9670

Website: www.ainfoinc.com
Email: sales@ainfoinc.com